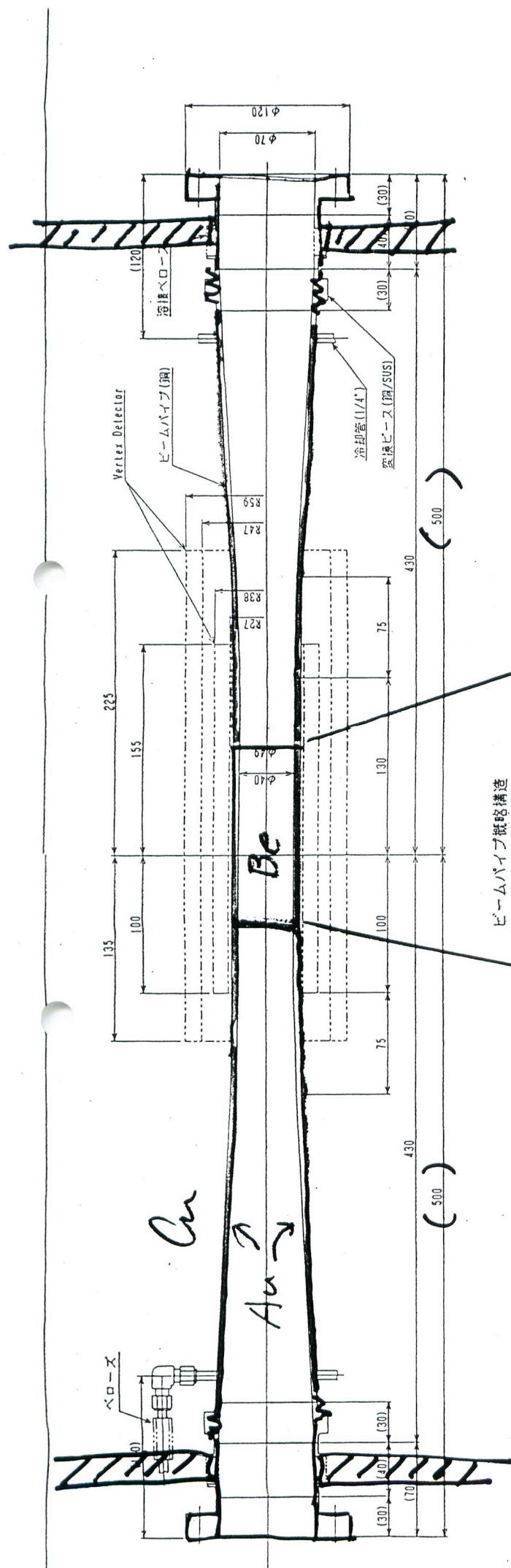


IR Vacuum Design

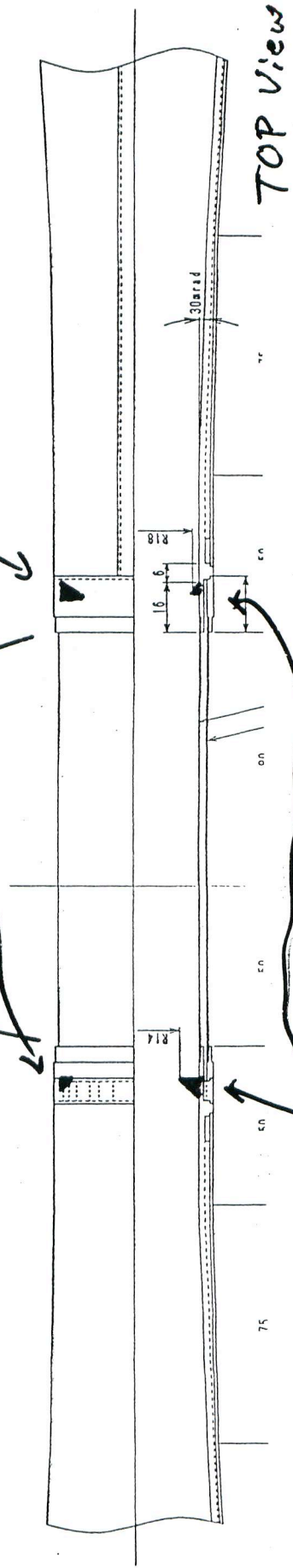
K. Kanazawa

1. Be chamber
2. Connection of chambers inside QCSR
3. Pressure profile around IR

June 8, 1995
KEKB Accelerator Review



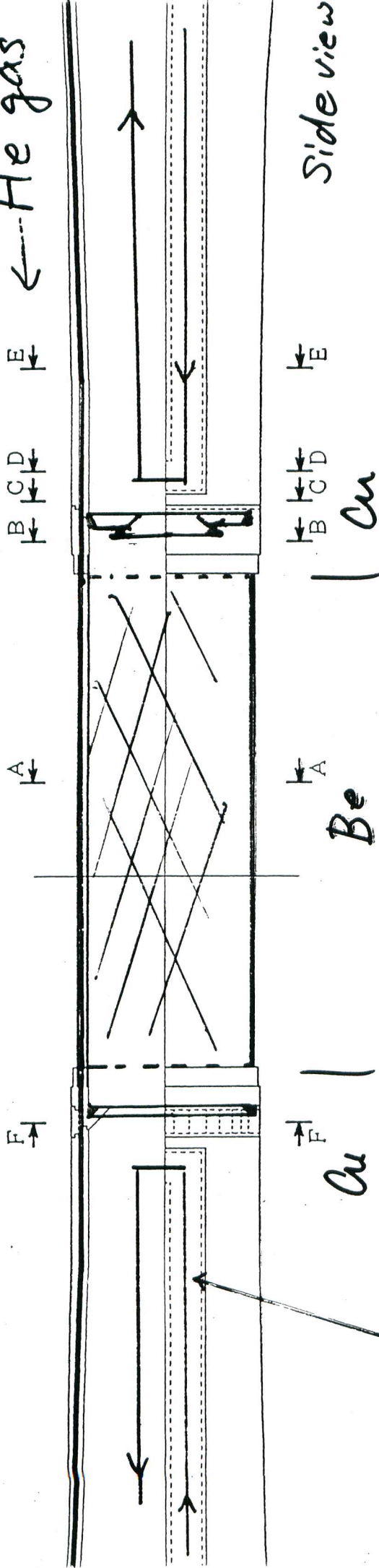
Beam Pipe Schematic Construction



衝突点部 (冷却部構造)

Beインナーパイプ
Beアウターパイプ

← He gas



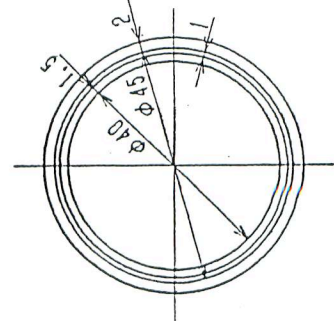
Side view

Cu

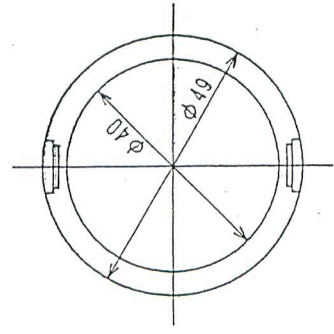
Be

Cu

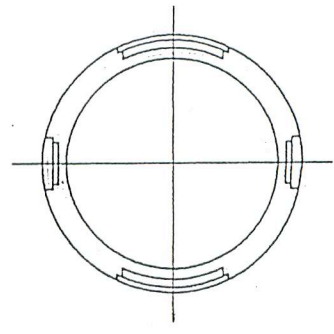
Water



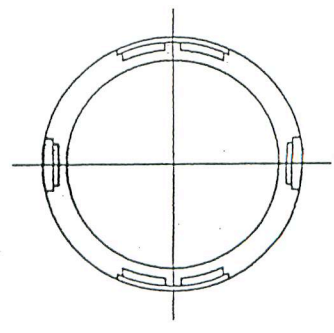
B-B



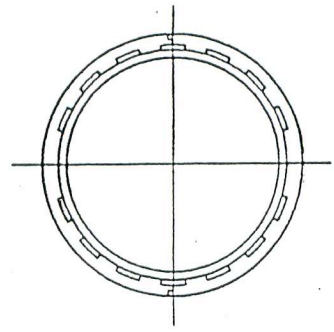
C-C



D-D

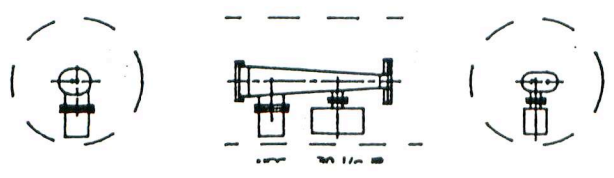
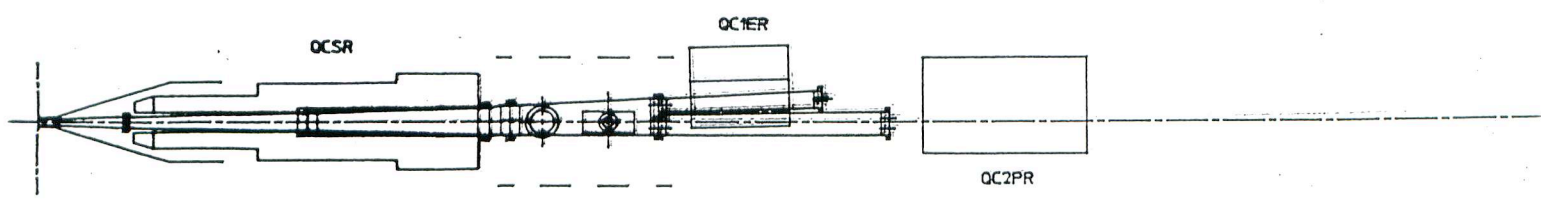
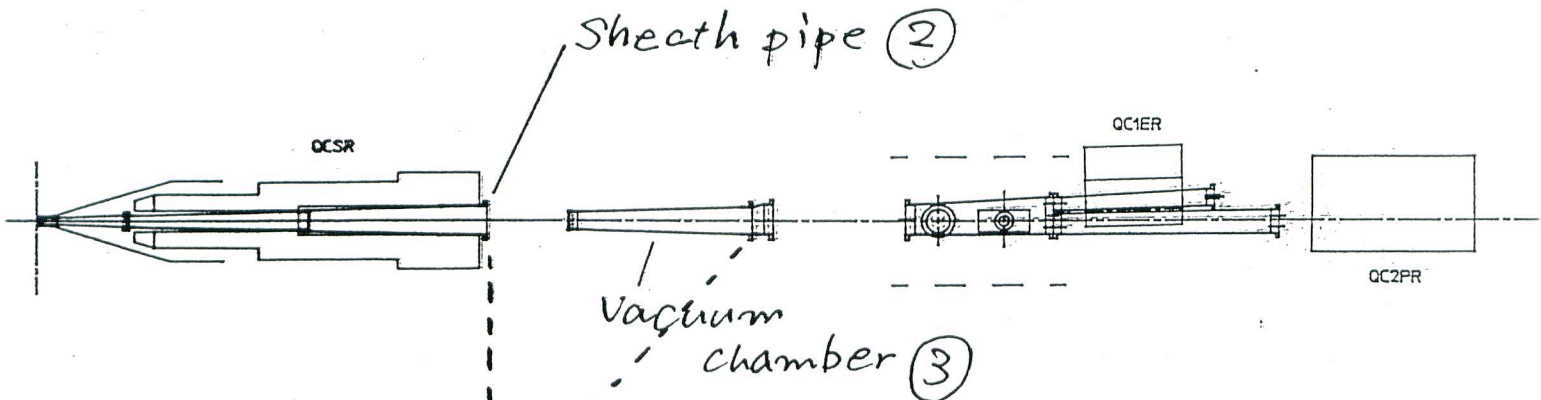
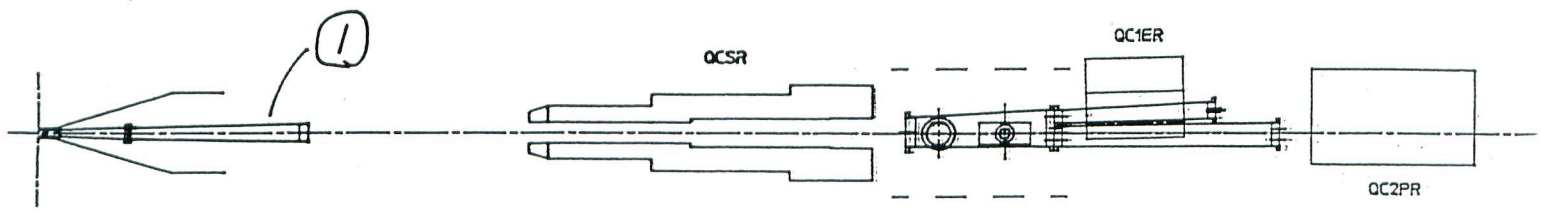
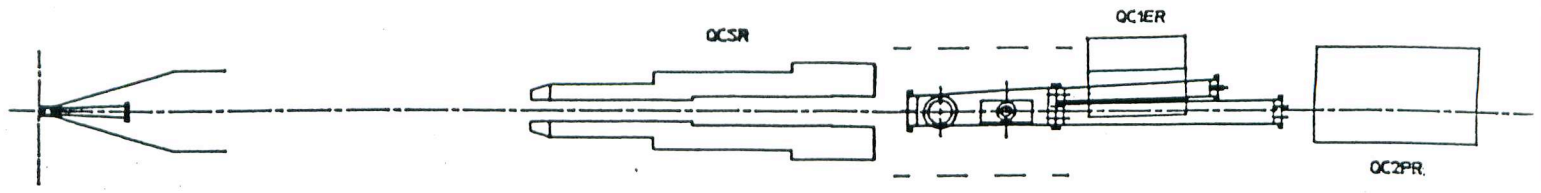


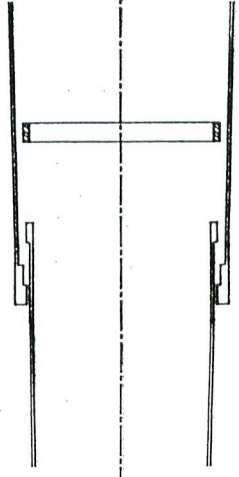
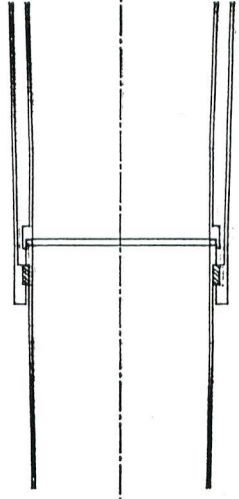
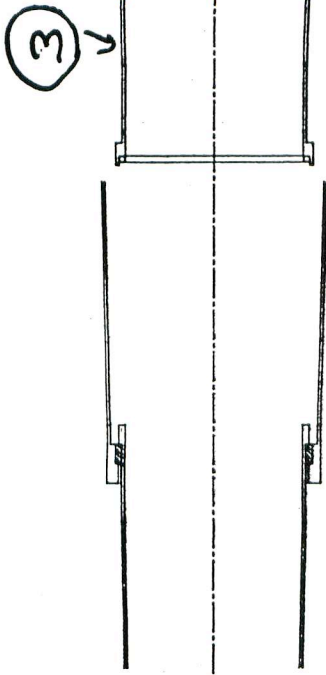
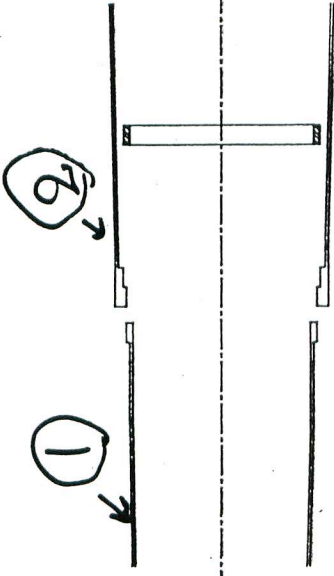
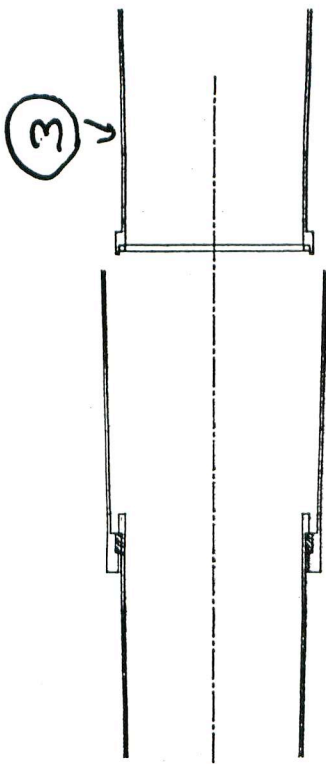
E-E

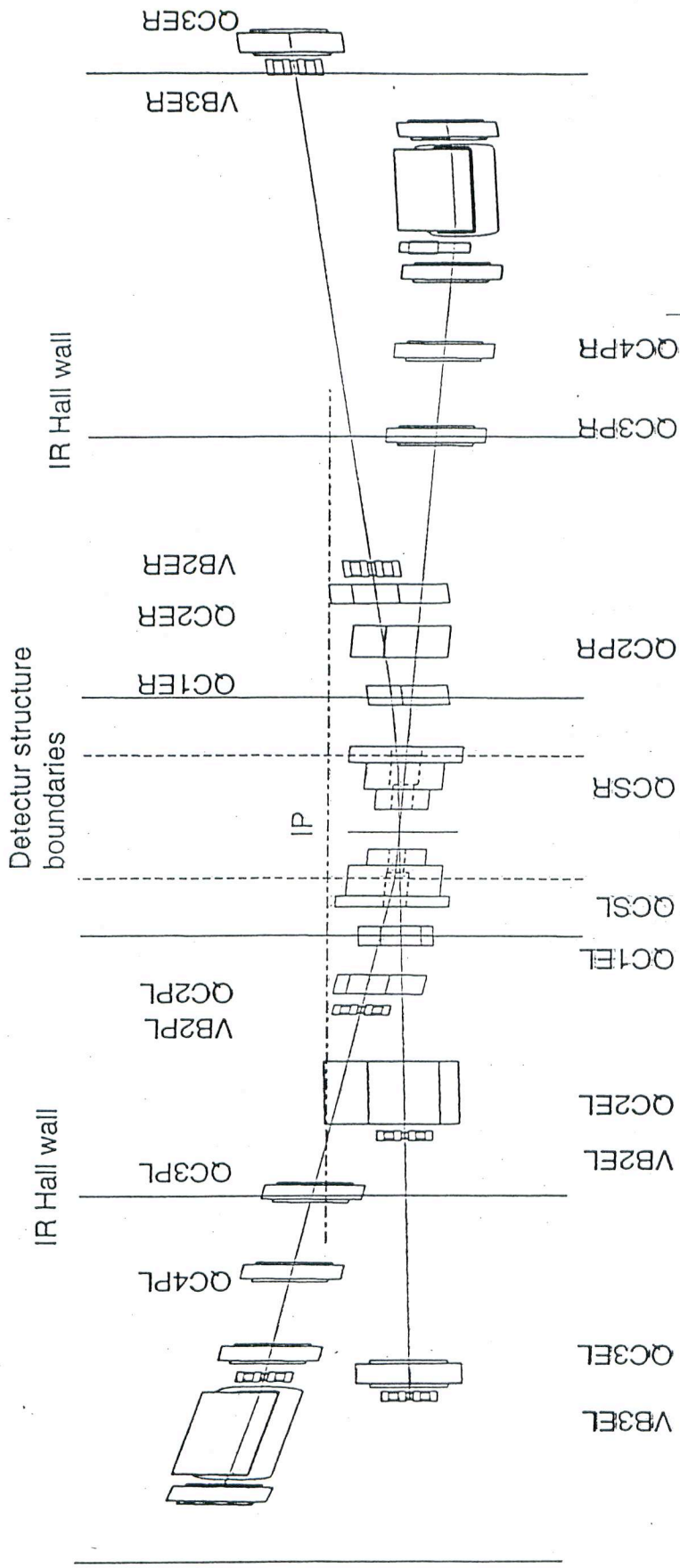


F-F

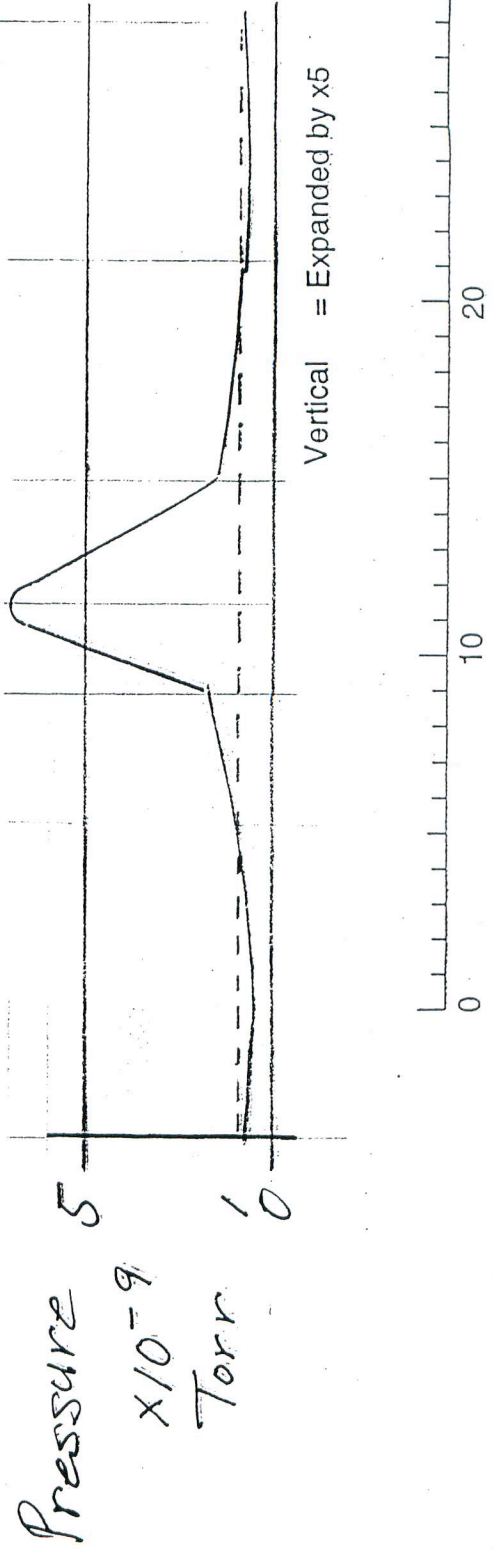








$(20 \sim 10^{-11})$
Torr-l/second



Pressure 5
 1
 $\times 10^{-9}$
Torr

Vertical = Expanded by x5

0 10 20 30 m